

MINI® Blade Fuses

Rated 32V



MINI® Shunt

Description

MINI® 32V automotive blade fuses boast a miniature design that allows automakers to pack more circuit protection into less space. Despite their light weight, MINI® fuses perform reliably in adverse environments and at extreme temperatures.

Ordering Information

| Part Number | Rating | Package Size |
|-----------------|----------------|--------------|
| 0297xxx.WXNV | 2 - 30 & SHUNT | 3000 |
| 0297xxx.WXNV-CN | 5 - 30 | 3000 |
| 0297xxx.U | 2 - 30 | 500 |
| 0297xxx.H | 2 - 30 | 100 |
| 0297xxx.L | 2 - 30 | 50 |

MINI® Sn Fuse

| | | |
|-------------|--------|------|
| 0297xxx.WXT | 2 - 30 | 3000 |
|-------------|--------|------|

Specifications

| | |
|--|--|
| Voltage Rating: | 32 VDC |
| Interrupting Rating: | 1000A @ 32 VDC |
| *Recommended Environmental Temperature: | -40°C to +125°C |
| Terminals Material: | Silver plated / Tin plated zinc alloy |
| Housing Material: | PA66 (U.L. 94 Flammability rating – V2) |
| Net Weight Per Fuse: | 0.57±5% gr |
| Complies with: | Ag plated: SAE J2077, ISO 8820-3, UL 248 Special Purpose Fuses Sn plated: SAE J2077, ISO 8820-3 not UL recognized |

*Tin plating's temperature limit is ≈130°C. Silver plating allows up to 150°C at the terminal interface.

Applications

- Cars
- Trucks
- SUVs
- Offroad vehicles
- Buses
- Watercraft

Features & Benefits

- Color coding shows the amperage rating for each fuse
- See-through housing makes it easy to check whether a fuse has blown
- Checkpoints on top make it possible to measure resistance without removing the fuse
- High-contrast amperage stamp on the top of the housing aids identification
- Simple to install and remove

MINI[®] Blade Fuses

Rated 32V

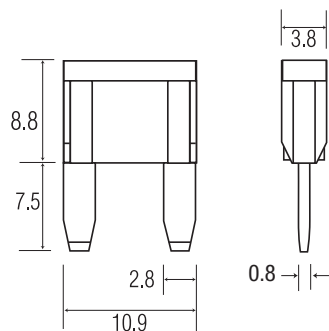
Ratings

| Part Number | Current Rating (A) | Housing Material Color | Test Cable Size (mm ²) | Typ. Voltage Drop (mV) | Typ. Cold Resistance (mΩ) | Typ. I ² t (A ² s) |
|-------------|--------------------|------------------------|------------------------------------|------------------------|---------------------------|--|
| 0297002._ | 2 | Grey | 0.5 | 171 | 55.60 | 9 |
| 0297003._ | 3 | Purple | 0.5 | 153 | 33.75 | 20 |
| 0297004._ | 4 | Pink | 0.5 | 121 | 23.48 | 31 |
| 0297005._ | 5 | Brown | 0.5 | 129 | 17.75 | 37 |
| 029707.5._ | 7.5 | Dark Brown | 0.75 | 135 | 10.85 | 82 |
| 0297010._ | 10 | Red | 1 | 108 | 7.42 | 122 |
| 0297015._ | 15 | Blue | 1.5 | 98 | 4.58 | 308 |
| 0297020._ | 20 | Yellow | 2.5 | 96 | 3.21 | 442 |
| 0297025._ | 25 | Light Orange | 2.5 | 86 | 2.36 | 622 |
| 0297030._ | 30 | Green | 4 | 87 | 1.85 | 1 230 |
| 0297900._ | SHUNT | ST | - | - | - | - |

The typical I²t is an average value calculated from the breaking capacity tests by using the melting time before the arcing occurs.

Dimensions

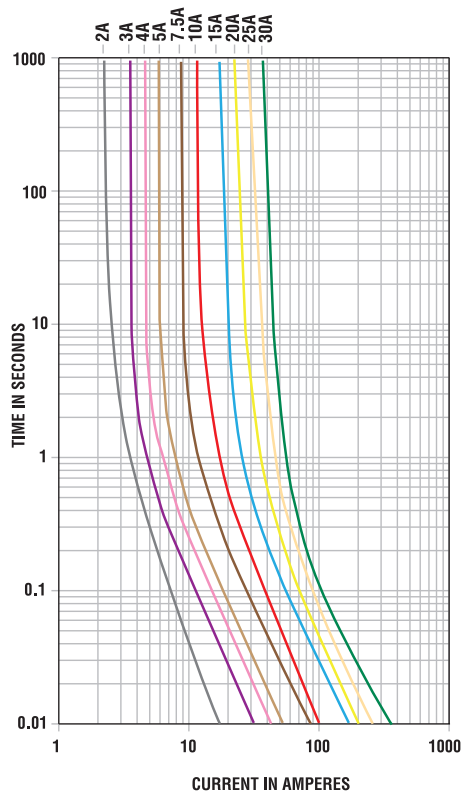
Dimensions in mm for reference only.
See outline drawing for dimensions and tolerances.



MINI® Blade Fuses

Rated 32V

Time-Current Characteristic Curves

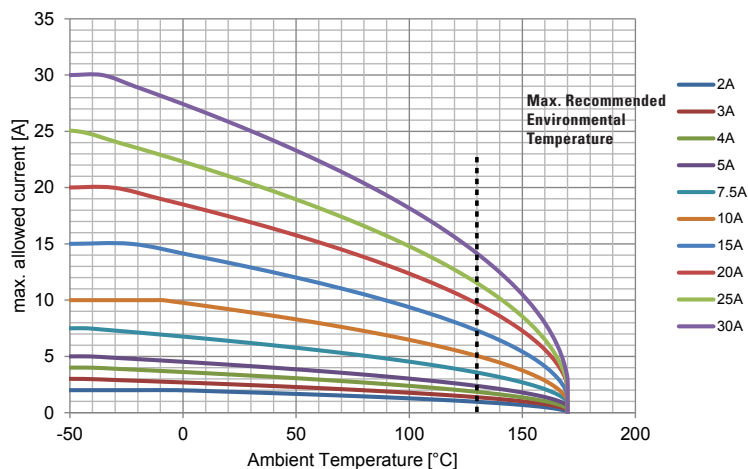


Time-Current Characteristics

| % of Rating | Opening Time Min / Max (s) |
|-------------|----------------------------|
| 110 | 360,000 / ∞ |
| 135 | 0.75 / 600 |
| 200 | 0.15 / 5 |
| 350 | 0.08 / 0.5 |
| 600 | 0.03 / 0.1 |

Typical Derating of Fuse Melting Element

Temperature Security Margin is 20%
Please contact Littelfuse® for Details Regarding Derating Test Set-Up.



Temperature Table

| | max. allowed current load [A] at ambient temperature (typical derating) | | | | | | | |
|-------------|---|-------|-----|------|------|------|------|-------|
| | -40°C | -20°C | 0°C | 20°C | 40°C | 60°C | 80°C | 100°C |
| 2A | 2.0 | 2.0 | 2.0 | 1.9 | 1.7 | 1.6 | 1.4 | 1.3 |
| 3A | 3.0 | 2.8 | 2.7 | 2.5 | 2.4 | 2.2 | 2.0 | 1.8 |
| 4A | 4.0 | 3.8 | 3.6 | 3.4 | 3.2 | 2.9 | 2.7 | 2.4 |
| 5A | 5.0 | 4.8 | 4.5 | 4.3 | 4.0 | 3.7 | 3.4 | 3.0 |
| 7.5A | 7.5 | 7.1 | 6.8 | 6.4 | 6.0 | 5.5 | 5.1 | 4.5 |
| 10A | 10 | 10 | 9.8 | 9.2 | 8.6 | 8.0 | 7.3 | 6.5 |
| 15A | 15 | 15 | 14 | 13 | 12 | 12 | 11 | 9.0 |
| 20A | 20 | 19 | 18 | 17 | 16 | 15 | 14 | 12 |
| 25A | 25 | 24 | 22 | 21 | 20 | 18 | 17 | 15 |
| 30A | 30 | 29 | 27 | 26 | 24 | 22 | 20 | 18 |

MINI SHUNT Maximum Continuous Load at 85°C: 20A

Derating curves may change depending on the final condition of the application (terminals characteristics, wire size etc.). Please ask Littelfuse® for more information.